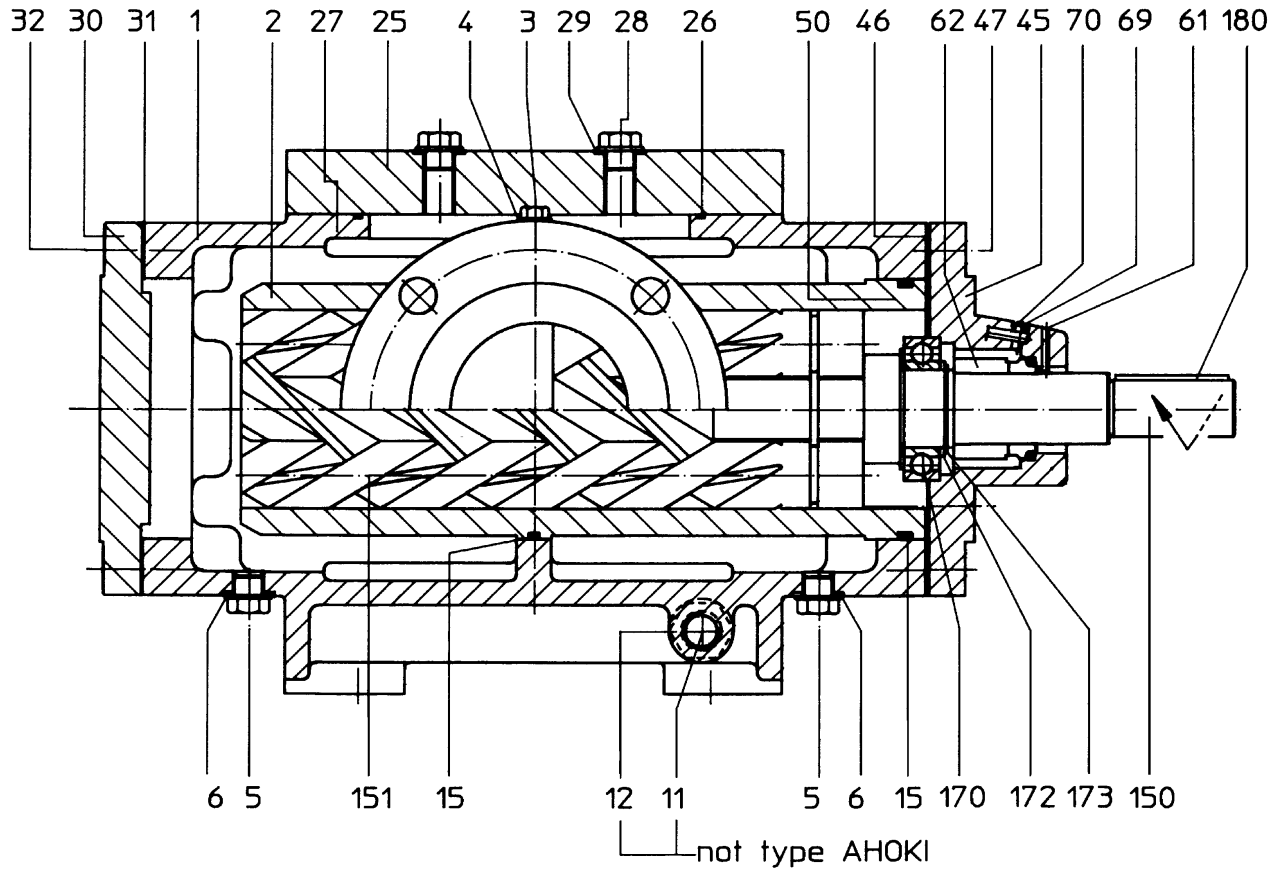


CROSS-SECTIONAL DRAWING WITH PARTS LIST L3MG AND L3HG/... IHOKIO-G



1 Pump Casing	27 Mounting Screw	61 Pin
2 Rotor Liner	28 Plug	+ 62 Mechanical Seal *
3 Vent Plug	29 Seal Ring	69 Seal Plug
4 Seal Ring	30 Suction Cover	70 Seal Ring
5 Drain Plug	+ 31 Gasket	150 Power Rotor (1)
6 Seal Ring	32 Mounting Screw	151 Idler Rotors (2)
11 Plug	45 Drive Side Cover	+ 170 Ball Bearing
12 Seal Ring	+ 46 Gasket	172 Back Ring
+ 15 O-Ring	47 Mounting Screw	173 Snap Ring
25 Blind Plate	50 Mounting Screw	180 Key
+ 26 O-Ring or gasket		

* If pump has Lip Seals instead of Mechanical Seal, refer to Position 52, Lip Seal.

+ Recommended spare parts.

L3MC and L3HC are similar but with customized casings