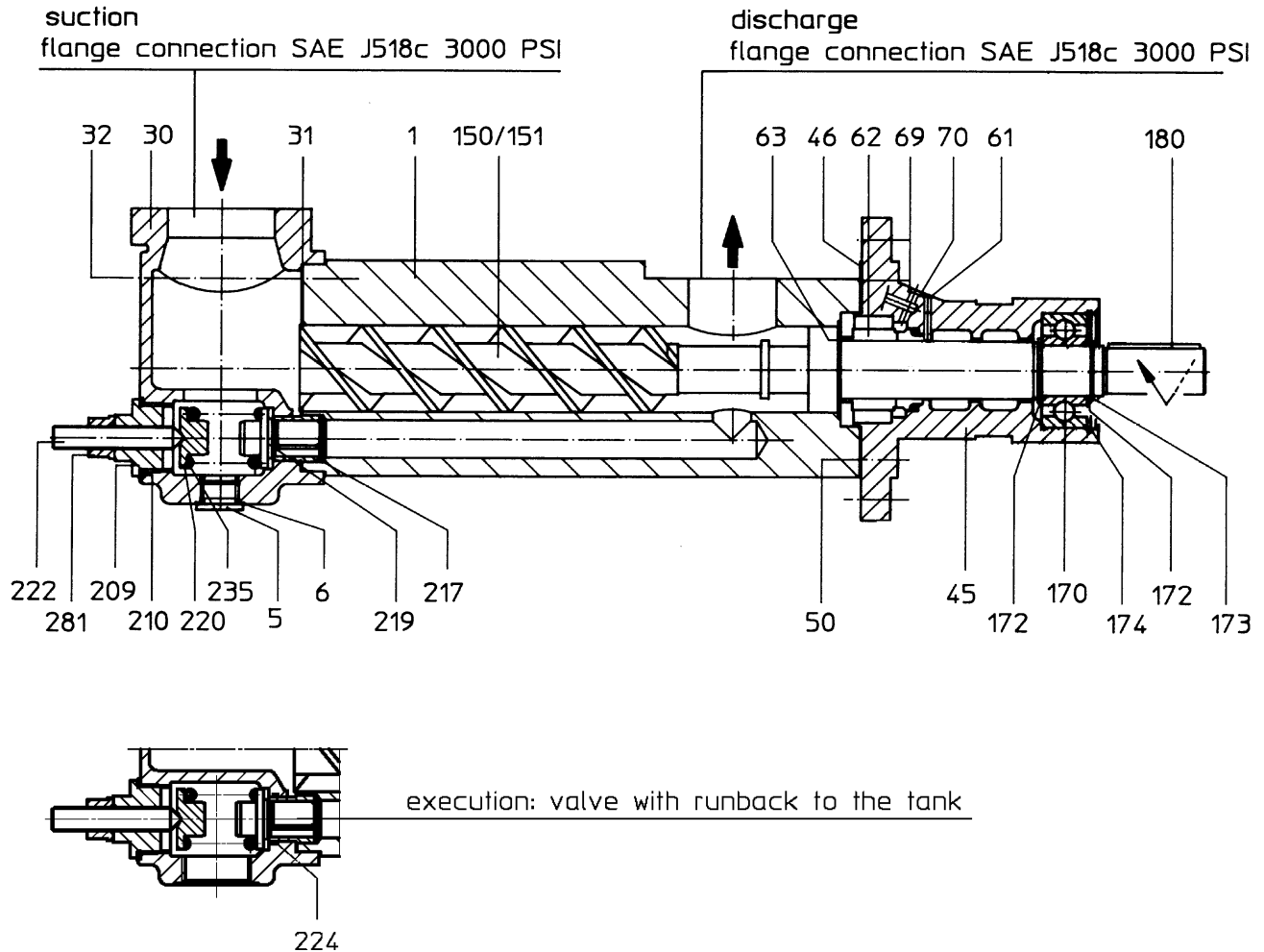


CROSS-SECTIONAL DRAWING WITH PARTS LIST L3MF/... AFOKUI-G



1 Pump Casing	+ 62 Mechanical Seal *	180 Key
5 Drain Plug	63 Spacer Ring (if reqd.)	209 Valve Cover
6 Seal Ring	69 Seal Plug	210 Seal Ring
30 Suction Housing	70 Seal Ring	217 Valve Seat
+ 31 Gasket	150 Power Rotor (1)	219 Poppet
32 Mounting Screw	151 Idler Rotors (2)	220 Spring Plate
45 Drive Side Cover	+ 170 Ball Bearing	222 Adjustment Screw
+ 46 Gasket	172 Back Ring	224 O-Ring
50 Mounting Screw	173 Snap Ring	235 Valve Spring
61 Pin	174 Snap Ring	281 Lock Nut

* If pump has Lip Seals instead of Mechanical Seal, refer to Position 52, Lip Seal.

+ Recommended spare parts