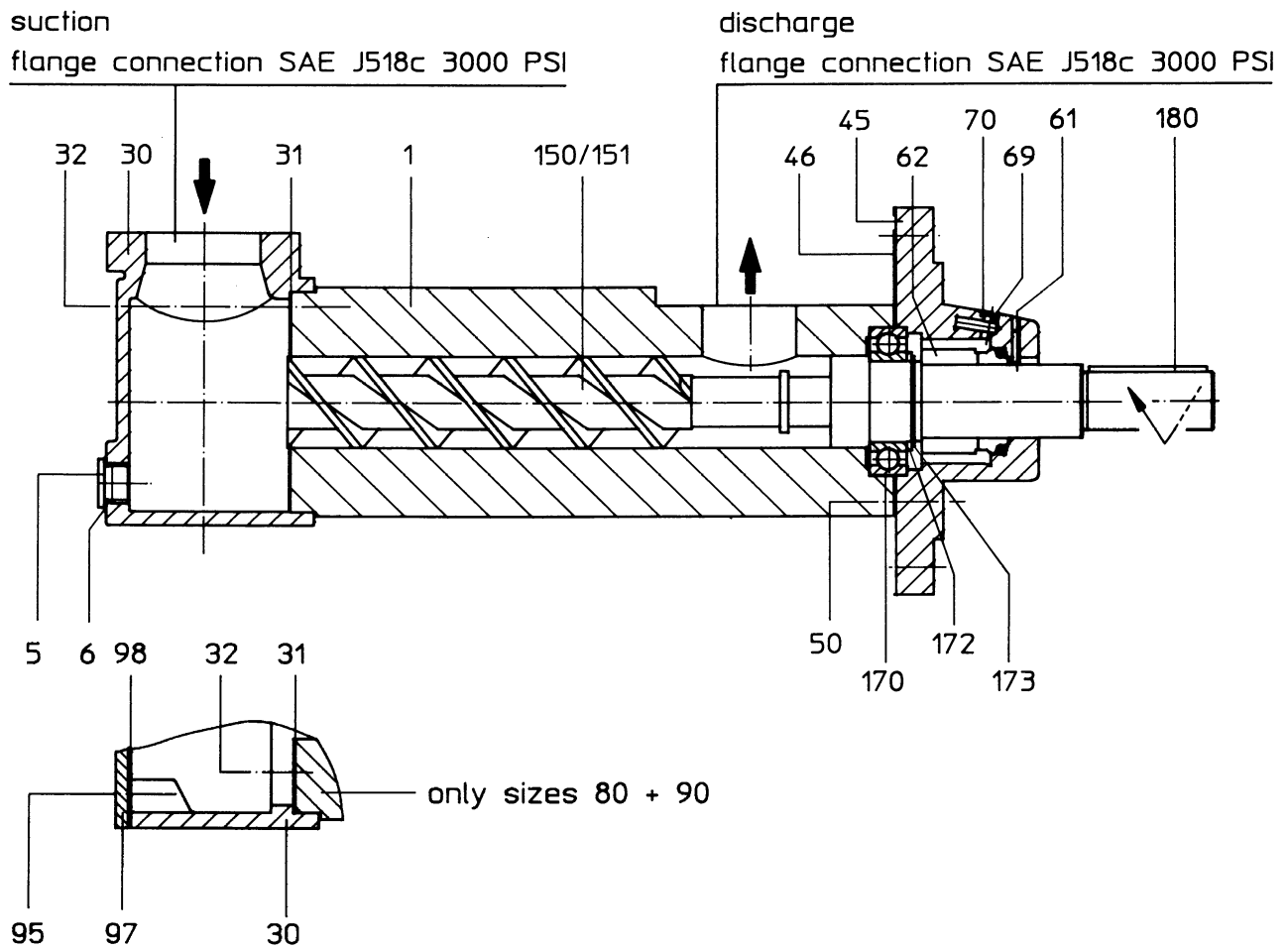


## CROSS-SECTIONAL DRAWING WITH PARTS LIST L3MF AND L3HF/... IFOKSO-G



1 Pump Casing	50 Mounting Screw	98 Gasket
5 Drain Plug	61 Pin	150 Power Rotor (1)
6 Seal Ring	+ 62 Mechanical Seal *	151 Idler Rotors (2)
30 Suction Housing	69 Seal Plug	+ 170 Ball Bearing
+ 31 Gasket	70 Seal Ring	172 Back Ring
32 Mounting Screw	95 Mounting Screw	173 Snap Ring
45 Drive Side Cover	97 End Cover	180 Key
+ 46 Gasket		

\* If pump has Lip Seals instead of Mechanical Seal, refer to Position 52, Lip Seal.

+ Recommended spare parts