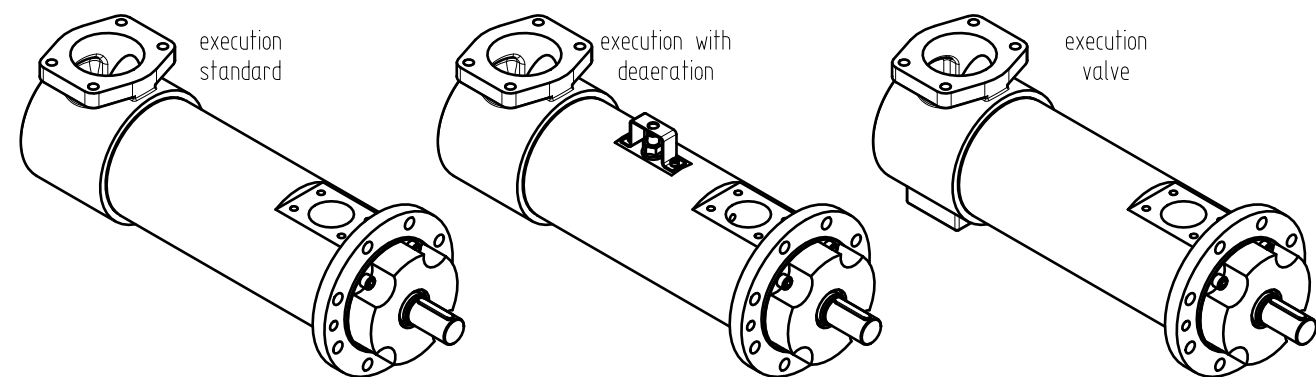
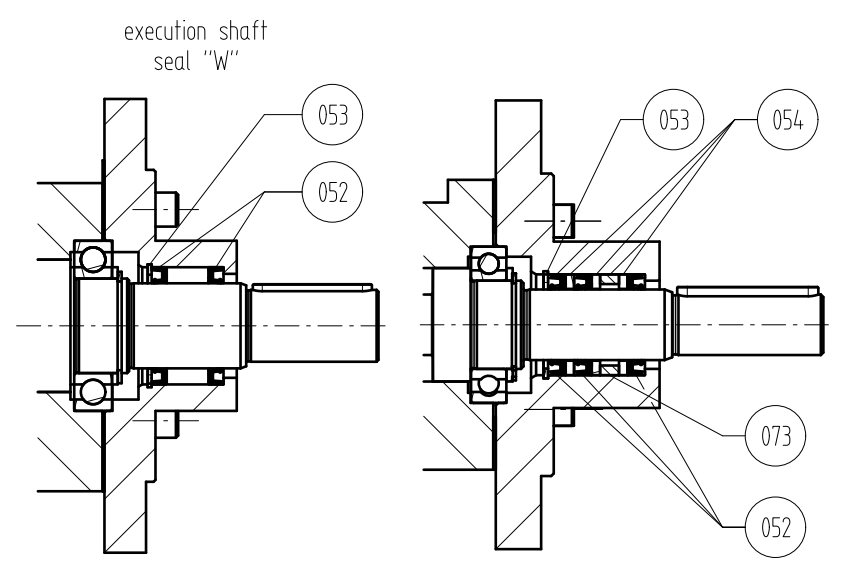
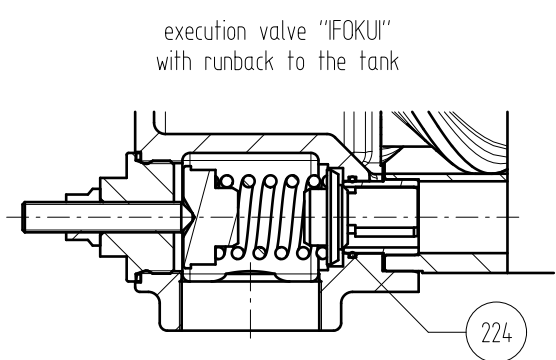
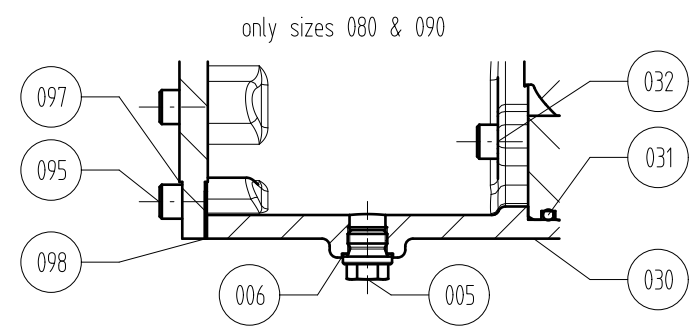
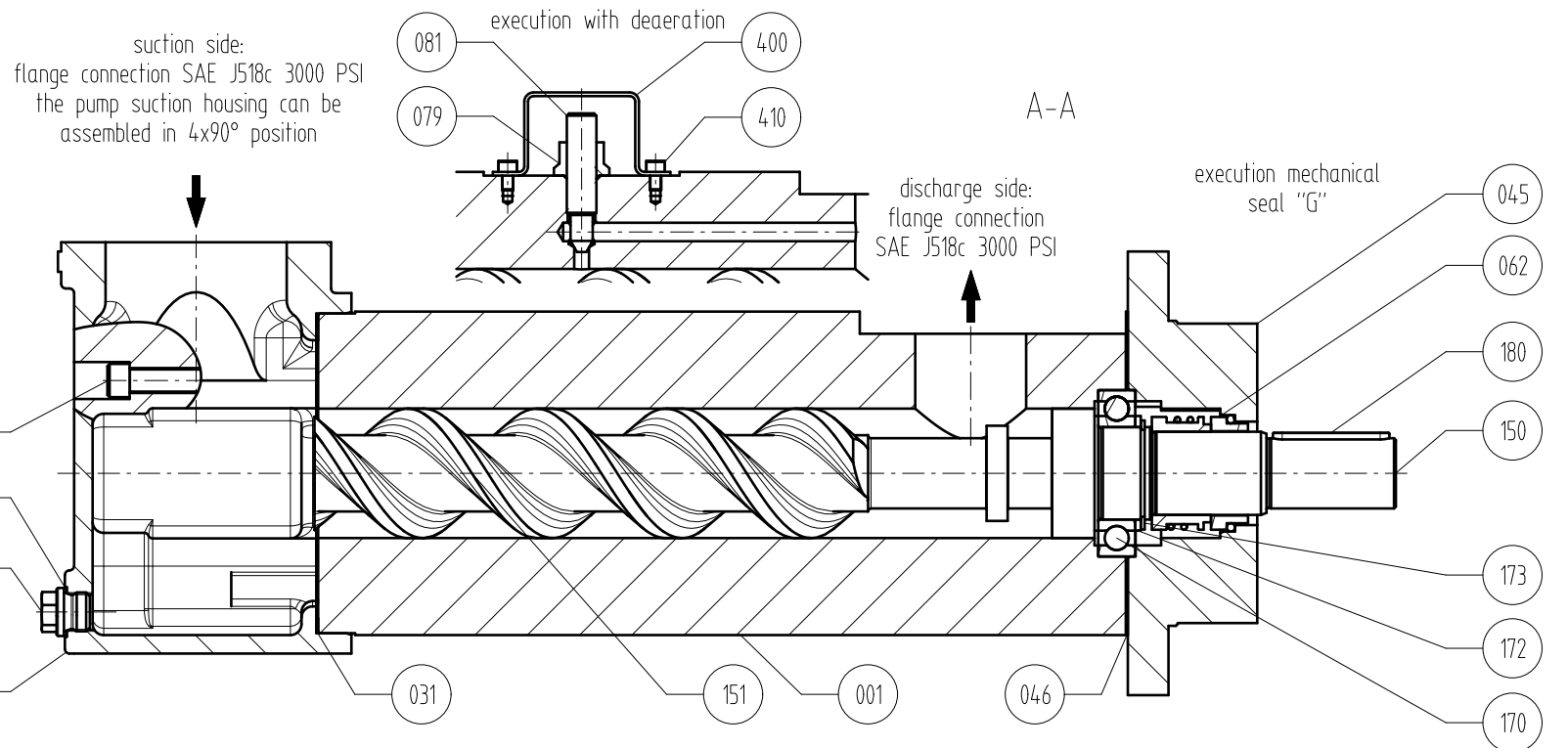
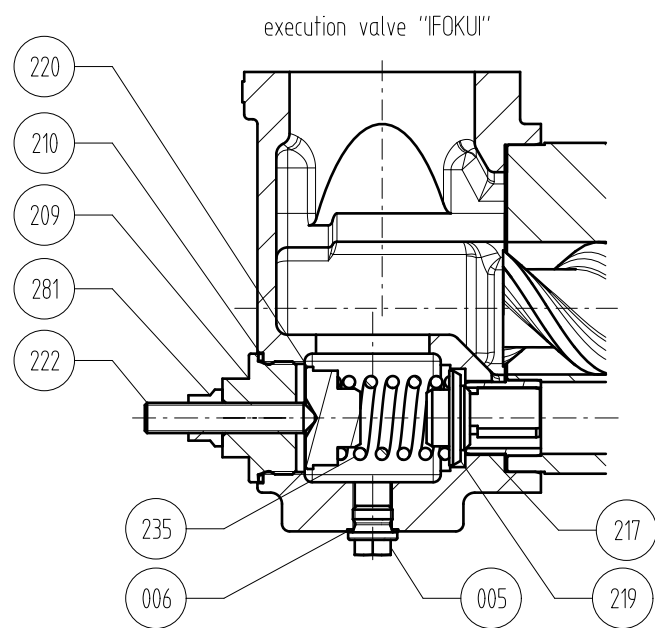
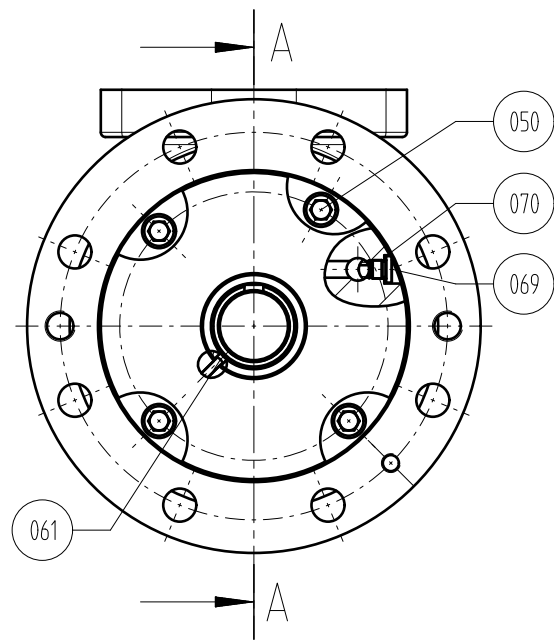


	X	410	head cap screw
		400	hoop guard
	X	281	seal lock nut
		235	valve spring
X		224	o-ring
	X	222	set screw
		220	valve plate
		219	valve cone
		217	valve seat
X	X	210	sealing ring
		209	valve cover
X	X	180	parallel key
X	X	173	circlip
	X	172	supporting ring
X	X	170	radial groove ball bearing
X		151	idler spindle
X		150	drivin spindle
X		098	gasket
		097	end cover
	X	095	head cap screw
		081	set screw
		079	seal lock nut
X	X	070	sealing ring
	X	069	plug
X	X	062	mechanical seal
X	X	061	grooved pin
X	X	053	circlip
X	X	052	shaft seal
	X	050	head cap screw
X		046	gasket
		045	cover driving side
	X	032	head cap screw
X		031	gasket
		030	suction casing
X	X	006	sealing ring
	X	005	plug
		001	pump casing
Spare Part	Norm Part	Pos.	Description



001	Variante 3x WDR hinzu	saemannm	30.1.24		
rev.	current condition	complied	date	checked	date
first-angle projection		proprietary notice DIN ISO 16016	project standard design catalogue		
originated from E1606258/E1606301	replacement for E1606258/E1606301	dim. in mm	name: saemannm	date: 19.12.22	
Leistritz PUMPEN GMBH			title Schnittzeichnung / Sectional drawing L3MF 025-090 IFOKSO/IFOKUI-G/W STANDARD		
			drawing no. 20059926		
rev.	format	scale	page	of	
001	A3	-	1	1	