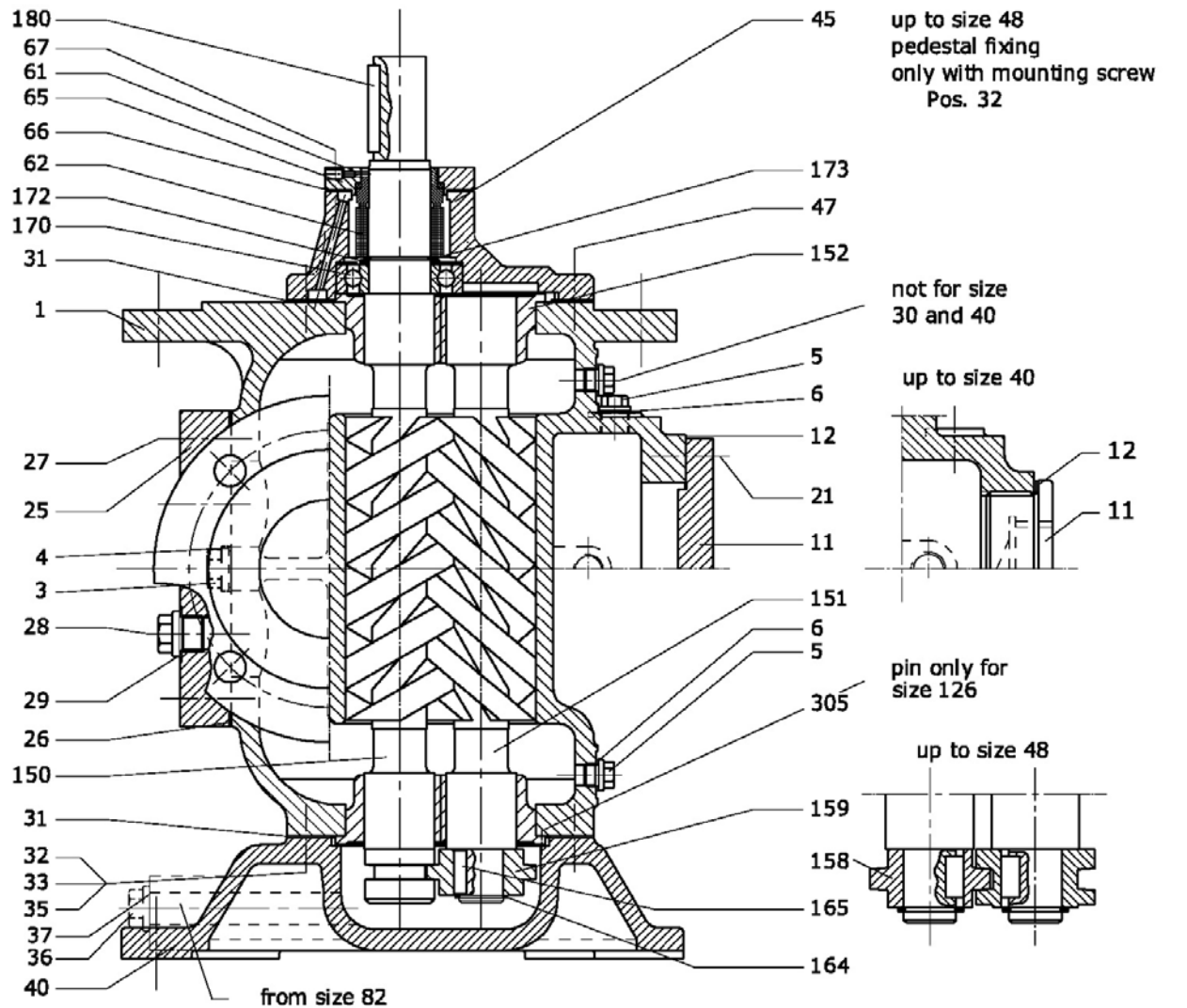


CROSS-SECTIONAL DRAWING WITH PARTS LIST L2NG 30-186/... ISOGIO-G



1 Pump Casing	29 Seal Ring	+ 66 Gasket
3 Plug	+ 31 Gasket	67 Mounting Screw
4 Seal Ring	32 Mounting Screw	150 Power Rotor
5 Plug	33 Lock Washer	151 Idler Rotor
6 Seal Ring	35 Nut	+ 152 Bushing
11 Plug or Heating Foot Blank Plate	36 Locking Screw	158 Shaft Collar-Power Rotor
12 Seal Ring or Gasket	37 Seal Ring	159 Shaft Collar-Idler Rotor
21 Mounting Screw	40 Pedestal	+ 164 Snap Ring
25 Valve Blank Plate	45 Cover-Drive Side	+ 165 Key
26 Gasket	47 Mounting Screw	+ 170 Ball Bearing
27 Mounting Screw	61 Pin	+ 172 Back Ring
28 Plug	+ 62 Mechanical Seal	+ 173 Snap Ring
	65 End Cover	+ 180 Key
		305 Pin

+ Recommended spare parts