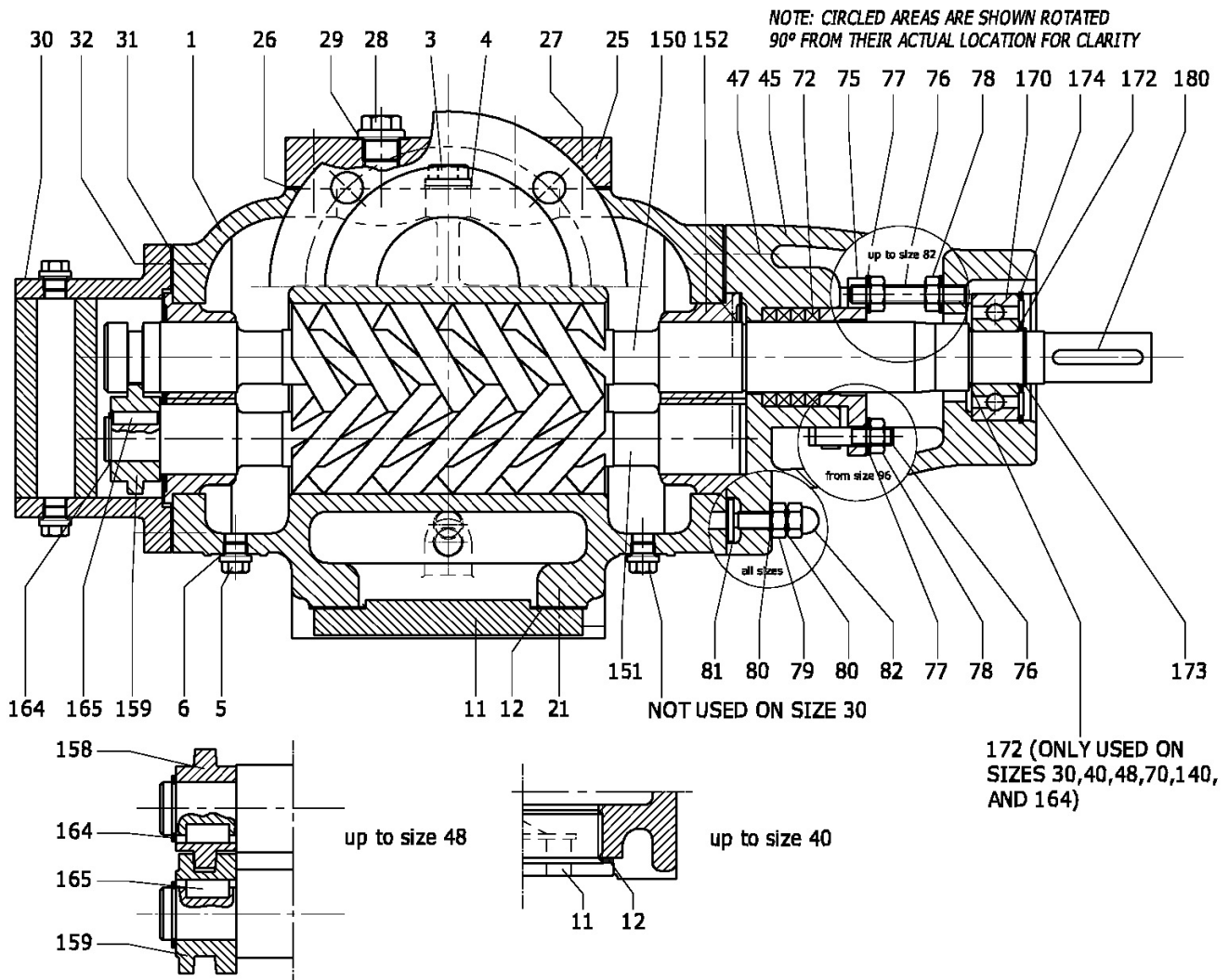


CROSS-SECTIONAL DRAWING WITH PARTS LIST L2NG 30-186/... AHDKIO-S



1 Pump Casing	30 Cover-Driven Side	81 Adjusting Screw
3 Plug	+ 31 Gasket	82 Acorn Nut
4 Seal Ring	32 Mounting Screw	150 Power Rotor
5 Plug	45 Cover-Drive Side	151 Idler Rotor
6 Seal Ring	47 Mounting Screw	+ 152 Bushing
11 Plug or Heating Foot Cover	+ 72 Packing Ring	158 Shaft Collar-Power Rotor
12 Seal Ring or Gasket	75 Gland	159 Shaft Collar-Idler Rotor
21 Mounting Screw	76 Threaded Rod or T-Head Screw	+ 164 Snap Ring
25 Valve Blank Plate	77 Washer	+ 165 Key
26 Gasket	78 Hex Nut	+ 170 Ball Bearing
27 Mounting Screw	79 Hex Nut	+ 172 Back Ring
28 Plug	80 Seal Ring	+ 173 Snap Ring
29 Seal Ring		+ 174 Snap Ring
+ Recommended spare parts		+ 180 Key