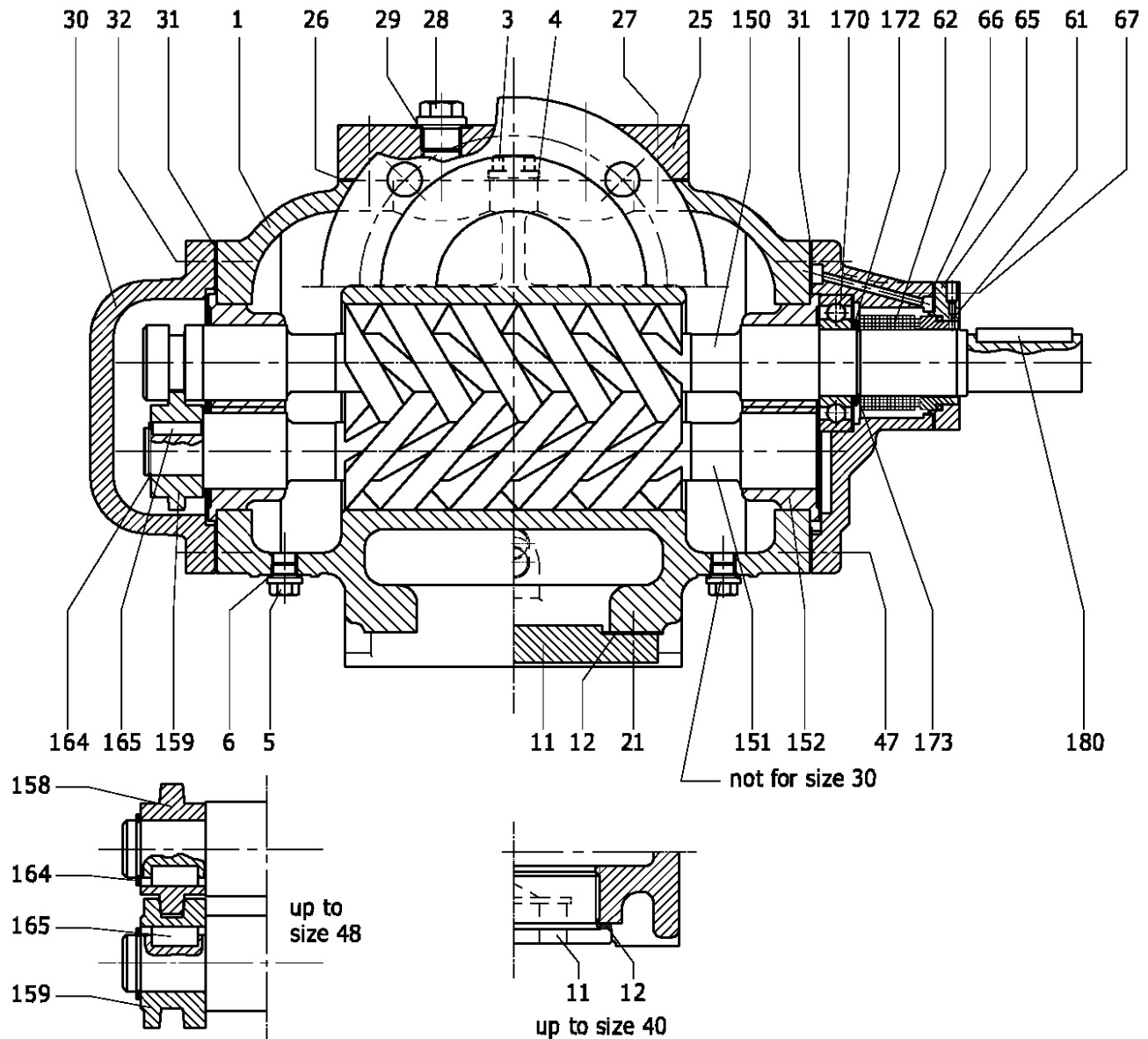


CROSS-SECTIONAL DRAWING WITH PARTS LIST

L2NG 30-186/... IHOKIO-G



1 Pump Casing	27 Mounting Screw	67 Mounting Screw
3 Plug	28 Plug	150 Power Rotor
4 Seal Ring	29 Seal Ring	151 Idler Rotor
5 Plug	30 Cover-Driven Side	+ 152 Bushing
6 Seal Ring	+ 31 Gasket	158 Shaft Collar-Power Rotor
11 Plug or Heating Foot Cover	32 Mounting Screw	159 Shaft Collar-Idler Rotor
12 Seal Ring or Gasket	45 Cover-Drive Side	+ 164 Snap Ring
21 Mounting Screw	47 Mounting Screw	+ 165 Key
25 Valve Blank Plate	61 Pin	+ 170 Ball Bearing
26 Gasket	+ 62 Mechanical Seal	+ 172 Back Ring
	65 End Cover	+ 173 Snap Ring
	+ 66 Gasket	+ 180 Key

+ Recommended spare parts