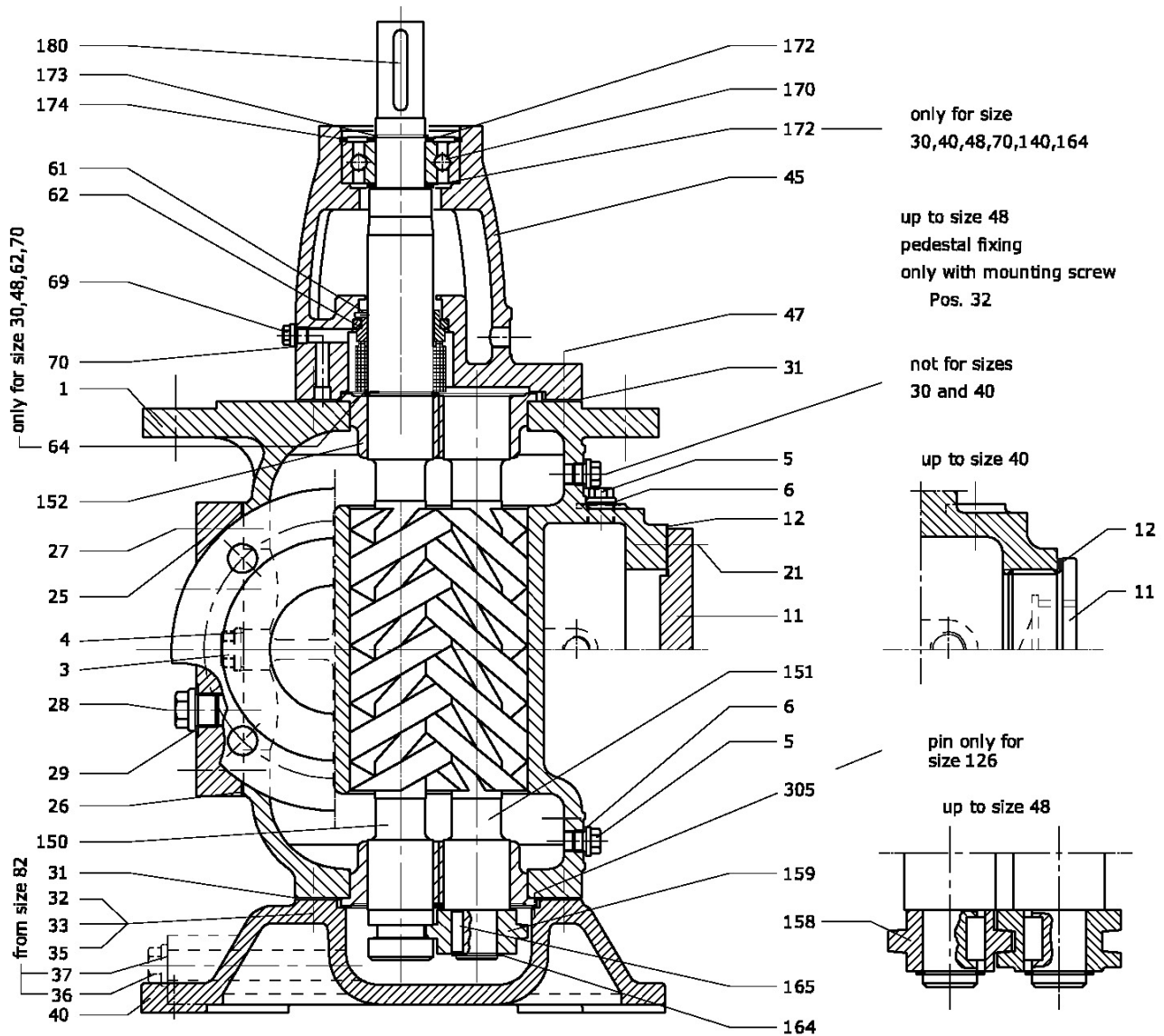


CROSS-SECTIONAL DRAWING WITH PARTS LIST L2NG 30-186/... ASOGIO-G



1 Pump Casing	29 Seal Ring	70 Seal Ring
3 Plug	+ 31 Gasket	150 Power Rotor
4 Seal Ring	32 Mounting Screw	151 Idler Rotor
5 Plug	33 Lock Washer	+ 152 Bushing
6 Seal Ring	35 Hex Nut	158 Shaft Collar-Power Rotor
11 Plug or Heating Foot Blank Plate	36 Locking Screw	159 Shaft Collar-Idler Rotor
12 Seal Ring or Gasket	37 Seal Ring	+ 164 Snap Ring
21 Mounting Screw	40 Pedestal	+ 165 Key
25 Valve Blank Plate	45 Cover-Drive Side	+ 170 Ball Bearing
26 Gasket	47 Mounting Screw	+ 172 Back Ring
27 Mounting Screw	61 Pin	+ 173 Snap Ring
28 Locking Screw	+ 62 Mechanical Seal	+ 174 Snap Ring
	64 Snap Ring	+ 180 Key
	69 Plug	305 Pin

+ Recommended spare parts